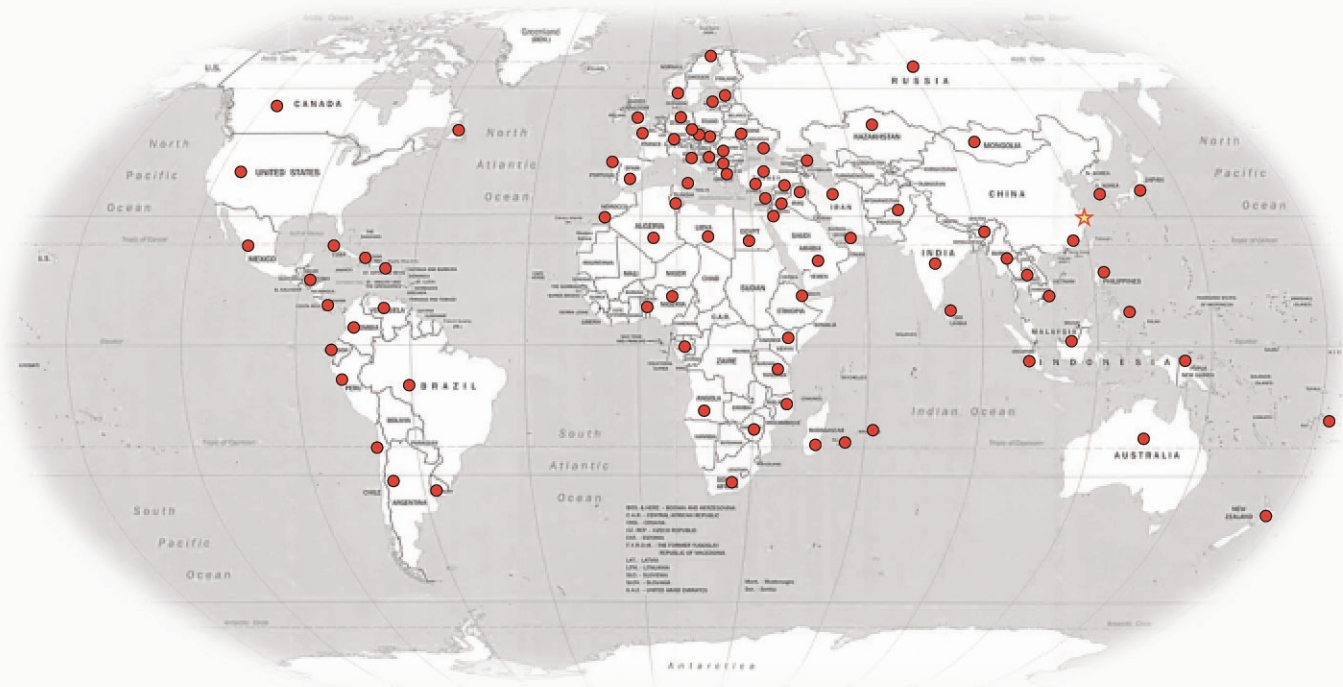


GLOBAL SALES NETWORK

R Series
3.0/3.5t Diesel



CE CERTIFICATE



ISO14001: 2004



ISO9001: 2008

HANGCHA GROUP CO., LTD.
(Zhejiang Hangcha Imp. & Exp. Co., Ltd.)

www.hcforlift.com

Add: 398 Shi Qiao Road, Hangzhou Zhejiang province, China (310022)
Factory site: No. 88, Donghuan Rd., Economic Development Zone Lin'an, Zhejiang, China (311305)
Tel: +86-571-88926755
Fax: +86-571-88926789 88132890
E-mail: sales@hcforlift.com

HANGCHA GROUP CO., LTD. Reserves the right to make any changes without notice concerning colors, equipment, or specifications detailed in this brochure, or to discontinue individual models. The colors of trucks, delivered may differ slightly from those in brochures.

2014 VERSION 3/COPYRIGHT 2014/04

HANGCHA GROUP CO., LTD.

simple. Easy: **SERVICE**
 simple, comprehensive: **PANEL**
 strong, wide view: **MASTS**
 so much footroom: **DRIVER ROOM**

INTRODUCTION

The new generation R series forklift is combined with durability and ergonomics, providing productivity unmatched by other forklifts and the comfort for hours of tireless operation. Add friendliness to the environment, simple servicing, efficiency on the job, high standards of safety---it's the perfect tool for the most demanding application.

EFFICIENCY

Thanks to the long wheelbase design, the longitudinal stability of whole truck is much better, the hoisting capacity at same lift height are enhanced by an average of 100kg compared with former truck. At the same time, it prolongs work time of rear wheel as the reduced rear axle's load.

Increasing the hard proportion of hydraulic pipe, adopting right angle connector or straight through connector, that reduce the pressure loss of pipeline, and raise the lifting speed of mast, the speed is increased by an average of 10% compared with former truck.

Turning radius and width of right angle stacking aisle are decreased through reducing the dimensions of whole truck, that raise the efficiency of storehouse.



SERVICING

Easy opened engine cover and one-touch removal of the floorboard get you right to service operation, and reduces down-time.

The reasonable arrangement of fuse and installation of instrument, enable the replacing for fuse and maintenance for instrument more easy.

ENVIRONMENT FRIENDLY

The environment friendly engines all meet related emission control regulation. The noise emission also comes up to EU standard.

The Metal hood and molding sound insulation matches environmental protection demands.

SAFE

A throttling device is set in pipe system, the mast won't result in failing control of mast even some pipes broke.

By using a built-in hood lock device, the safe level of the truck has been raised.



For more than 30 years, **HANGCHA GROUP CO., LTD.** Has played a leading role in the manufacture and production of Chinese forklift industry. We constantly strive to develop and incorporate the latest advances in forklift design and technology to ensure that our products provide an optimum level of performance, all the time. Our new generation R series of forklifts truly exemplifies this commitment to excellence.

- The clearance between the steering axle and support rod can be adjusted, to improve the adaptability for ground.
- The pin of the tilt cylinder adopts a build-in grease fitting, which enables the grease fitting more dependable.
- The high performance specific tires for forklift trucks increase the work life of tires much more.

durable: **HYDRAULICS**
 clean, reliable: **ENGINES**
 progressive: **BRAKES**
 cool, smooth: **TRANSMISSION**

APPEARANCE

The latest appearance design method was used to create the R series fluent and aesthetic outline, that matches the latest appearance trend.

The large engineering plastic covering enables the whole truck looks friendly and natural.

TRANSMISSION & ENGINE

The transmission can be chosen among OKAMURA, NISSAN and HC(made in china with the Japanese technique), with advanced structure and dependable function. Among them, the OKAMURA transmission adopts advanced float type structure, which can achieve a flexible connection between engine and frame, the vibrations of transmission to the frame is reduced. The engine can be chosen among the TD27, C240, 4JG2, 4TNV94L diesel engine, with great power, economical fuel consumption and dependable functions.

OPERATION

Adopted advanced ergonomic technology optimizes the design of control system, improves the comfortable of operation much more.

Adopted advanced vibration-reduction technology designs each part's vibration reduction, reduces the whole truck vibration. Among them, the hood is designed to full floating type, and vibration reduction device for steering axle enables the operation more comfortable.



The torque converter models adopt electronic-hydraulic forward-reverse control technology, meaning less effort and less total time used during this often-performed function.

Adopted recently developed redirector decreases the steering wheel force to 6~8N only ,that reduce 50% compared with former truck.

The grease fittings and bushes added around the shaft of control mechanism decreases the force of pedal, that are reduced 30% compared with former truck.

COOLING SYSTEM

Newly adopted combined type aluminum radiator improves the radiator cooling performance greatly.

Advanced heat dissipation technology improves heat dissipation channel, that enhances the truck heat dissipation capability further, the water temperature is reduced 15% compared with former truck.

CYLINDER

Oil seal rings used for tilting cylinder, lifting cylinder and turning cylinder all adopt the first class international product, the sealing performance has been proven through ten of thousands fatigue test.

The soft landing system for lifting cylinder decreases the level of noise and shock when the mast lowered to termination phase.

BRAKES

The 3-3.5t forklifts all adopt the new type drum brake. waterproof slot on the brake drum and framework oil seal on the axle tube avoid water or oil entering the brake drum, enable the dependability of brake to raise consumedly.



OKAMURA
New floating type

OKAMURA 2-3t T / M is Floating Types, The only one in China. Floating types are designed to reduce the transmission of vibrations to the chassis in small and midsized (1 to 5 tons) forlift trucks, thereby reducing operator fatigue and improving riding comfort . Specially-shortened design is ideal for this floating-type Installation. Compact design offers same dimensions as conventional integrated models . May be coupled to the differential axles. Making installation, removal, and maintenance easy.



YANMAR 4TNV94L

Displacement
 3054 cc
 Rated output:
 43 Kw/2500rpm
 Rated torque:
 205 N-m/1000rpm

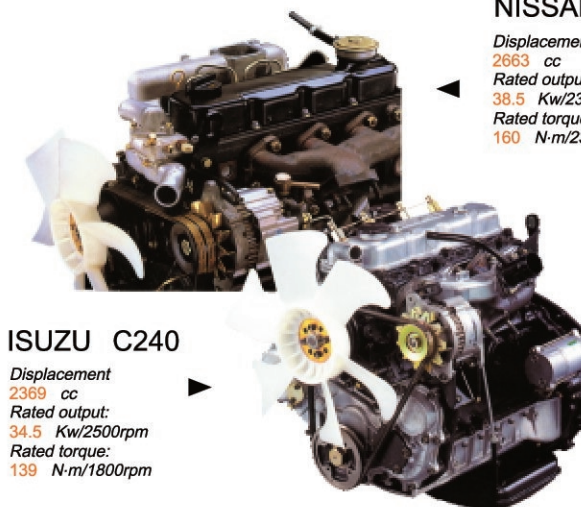


Options

- 2.0-5.0m duplex mast
- 2.5-4.0m full free duplex mast
- 4.3-6.5m triplex mast
- Special carriage and backrest
- Other dimension forks
- Dual drive wheel with fender
- Solid tyre
- Non-markig(white, green)
- Cabin
- Heater and air conditioner
- Fire extinguisher
- Semi-suspension seat or full-suspension seat
- Dual air cleaner or special air cleaner
- Rear working light
- Customer painting
- Auxiliary hydraulic valve modules
- High-mounted exhaust system
- Middle-mounted exhaust system
- Spark arrester
- Purified exhaust system
- Radiator screen
- Sideshifter
- Integrated sideshifter
- Other attachment

NISSAN TD27

Displacement
 2663 cc
 Rated output:
 38.5 Kw/2300rpm
 Rated torque:
 160 N-m/2300rpm

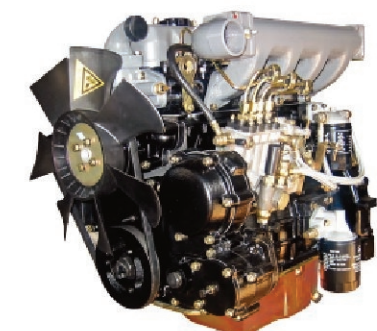


ISUZU C240

Displacement
 2369 cc
 Rated output:
 34.5 Kw/2500rpm
 Rated torque:
 139 N-m/1800rpm

XINCHAI A498BT1

Displacement
 3168 cc
 Rated output:
 36.8 Kw/2400rpm
 Rated torque:
 186 N-m/1700rpm



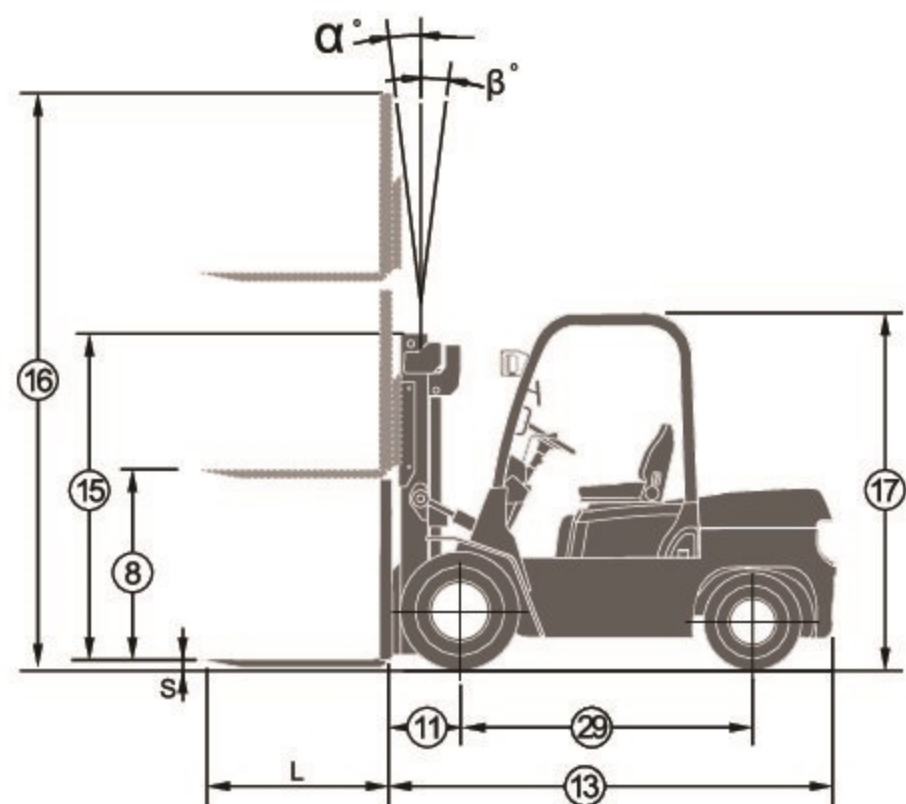
R series 3.0-3.5t Diesel forklift specification:

| General | | HANGCHA GROUP CO.,LTD. | | | | | | | | | | | | | | | | HANGCHA GROUP CO.,LTD. | | | | | | | | | | | | | | | |
|---------|--|---|--|--|--|--|--|--|--|--|--|--|--|--|--|--|--|------------------------|--|--|--|--|--|--|--|--|--|--|--|--|--|--|--|
| | | R30D | | | | | | | | | | | | | | | | R35D | | | | | | | | | | | | | | | |
| 1 | | Manufacturer | | | | | | | | | | | | | | | | HANGCHA GROUP CO.,LTD. | | | | | | | | | | | | | | | |
| 2 | | Basic model | | | | | | | | | | | | | | | | HANGCHA GROUP CO.,LTD. | | | | | | | | | | | | | | | |
| 3 | | Type | | | | | | | | | | | | | | | | HANGCHA GROUP CO.,LTD. | | | | | | | | | | | | | | | |
| 4 | | Power type | | | | | | | | | | | | | | | | HANGCHA GROUP CO.,LTD. | | | | | | | | | | | | | | | |
| 5 | | Rated capacity | | | | | | | | | | | | | | | | HANGCHA GROUP CO.,LTD. | | | | | | | | | | | | | | | |
| 6 | | Load center | | | | | | | | | | | | | | | | HANGCHA GROUP CO.,LTD. | | | | | | | | | | | | | | | |
| 7 | | Lift height | | | | | | | | | | | | | | | | HANGCHA GROUP CO.,LTD. | | | | | | | | | | | | | | | |
| 8 | | Free lift height | | | | | | | | | | | | | | | | HANGCHA GROUP CO.,LTD. | | | | | | | | | | | | | | | |
| 9 | | Fork size | | | | | | | | | | | | | | | | HANGCHA GROUP CO.,LTD. | | | | | | | | | | | | | | | |
| 10 | | Mast tilt range | | | | | | | | | | | | | | | | HANGCHA GROUP CO.,LTD. | | | | | | | | | | | | | | | |
| 11 | | Fork overhang(Wheel center to fork face) | | | | | | | | | | | | | | | | HANGCHA GROUP CO.,LTD. | | | | | | | | | | | | | | | |
| 12 | | Rear overhang | | | | | | | | | | | | | | | | HANGCHA GROUP CO.,LTD. | | | | | | | | | | | | | | | |
| 13 | | Length to face of fork | | | | | | | | | | | | | | | | HANGCHA GROUP CO.,LTD. | | | | | | | | | | | | | | | |
| 14 | | Overall width | | | | | | | | | | | | | | | | HANGCHA GROUP CO.,LTD. | | | | | | | | | | | | | | | |
| 15 | | Mast lowered height | | | | | | | | | | | | | | | | HANGCHA GROUP CO.,LTD. | | | | | | | | | | | | | | | |
| 16 | | Mast extended height | | | | | | | | | | | | | | | | HANGCHA GROUP CO.,LTD. | | | | | | | | | | | | | | | |
| 17* | | Overhead guard height | | | | | | | | | | | | | | | | HANGCHA GROUP CO.,LTD. | | | | | | | | | | | | | | | |
| 18 | | Turning radius(outside) | | | | | | | | | | | | | | | | HANGCHA GROUP CO.,LTD. | | | | | | | | | | | | | | | |
| 19 | | Min. right angle stacking aisle width (Add load length and clearance) | | | | | | | | | | | | | | | | HANGCHA GROUP CO.,LTD. | | | | | | | | | | | | | | | |
| 20 | | Travel (No load) | | | | | | | | | | | | | | | | HANGCHA GROUP CO.,LTD. | | | | | | | | | | | | | | | |
| 21 | | Lifting (Full load) | | | | | | | | | | | | | | | | HANGCHA GROUP CO.,LTD. | | | | | | | | | | | | | | | |
| 22 | | Lowering (Full load) | | | | | | | | | | | | | | | | HANGCHA GROUP CO.,LTD. | | | | | | | | | | | | | | | |
| 23 | | Max.Drawbar Pull (Full load) | | | | | | | | | | | | | | | | HANGCHA GROUP CO.,LTD. | | | | | | | | | | | | | | | |
| 24 | | Max.Gradeability (Full load) | | | | | | | | | | | | | | | | HANGCHA GROUP CO.,LTD. | | | | | | | | | | | | | | | |
| 25 | | Tyres | | | | | | | | | | | | | | | | HANGCHA GROUP CO.,LTD. | | | | | | | | | | | | | | | |
| 26 | | Tread | | | | | | | | | | | | | | | | HANGCHA GROUP CO.,LTD. | | | | | | | | | | | | | | | |
| 27 | | Wheelbase | | | | | | | | | | | | | | | | HANGCHA GROUP CO.,LTD. | | | | | | | | | | | | | | | |
| 28 | | Ground clearance | | | | | | | | | | | | | | | | HANGCHA GROUP CO.,LTD. | | | | | | | | | | | | | | | |
| 29 | | Service weight | | | | | | | | | | | | | | | | HANGCHA GROUP CO.,LTD. | | | | | | | | | | | | | | | |
| 30 | | Weight | | | | | | | | | | | | | | | | HANGCHA GROUP CO.,LTD. | | | | | | | | | | | | | | | |
| 31 | | Distribution | | | | | | | | | | | | | | | | HANGCHA GROUP CO.,LTD. | | | | | | | | | | | | | | | |
| 32 | | Battery | | | | | | | | | | | | | | | | HANGCHA GROUP CO.,LTD. | | | | | | | | | | | | | | | |
| 33 | | Voltage/Capacity(20HR) | | | | | | | | | | | | | | | | HANGCHA GROUP CO.,LTD. | | | | | | | | | | | | | | | |
| 34 | | Model | | | | | | | | | | | | | | | | HANGCHA GROUP CO.,LTD. | | | | | | | | | | | | | | | |
| 35 | | Manufacture | | | | | | | | | | | | | | | | HANGCHA GROUP CO.,LTD. | | | | | | | | | | | | | | | |
| 36 | | Rated output | | | | | | | | | | | | | | | | HANGCHA GROUP CO.,LTD. | | | | | | | | | | | | | | | |
| 37 | | Rated torque | | | | | | | | | | | | | | | | HANGCHA GROUP CO.,LTD. | | | | | | | | | | | | | | | |
| 38 | | No. of cylinder | | | | | | | | | | | | | | | | HANGCHA GROUP CO.,LTD. | | | | | | | | | | | | | | | |
| 39 | | Bore*Stroke | | | | | | | | | | | | | | | | HANGCHA GROUP CO.,LTD. | | | | | | | | | | | | | | | |
| 40 | | Emission STD. | | | | | | | | | | | | | | | | HANGCHA GROUP CO.,LTD. | | | | | | | | | | | | | | | |
| 41 | | Displacement | | | | | | | | | | | | | | | | HANGCHA GROUP CO.,LTD. | | | | | | | | | | | | | | | |
| 42 | | Fuel tank capacity | | | | | | | | | | | | | | | | HANGCHA GROUP CO.,LTD. | | | | | | | | | | | | | | | |
| 43 | | Manufacture | | | | | | | | | | | | | | | | HANGCHA GROUP CO.,LTD. | | | | | | | | | | | | | | | |
| 44 | | Type | | | | | | | | | | | | | | | | HANGCHA GROUP CO.,LTD. | | | | | | | | | | | | | | | |
| 45 | | Stage | | | | | | | | | | | | | | | | HANGCHA GROUP CO.,LTD. | | | | | | | | | | | | | | | |
| 46 | | Operating pressure | | | | | | | | | | | | | | | | HANGCHA GROUP CO.,LTD. | | | | | | | | | | | | | | | |
| 47 | | For attachments | | | | | | | | | | | | | | | | HANGCHA GROUP CO.,LTD. | | | | | | | | | | | | | | | |

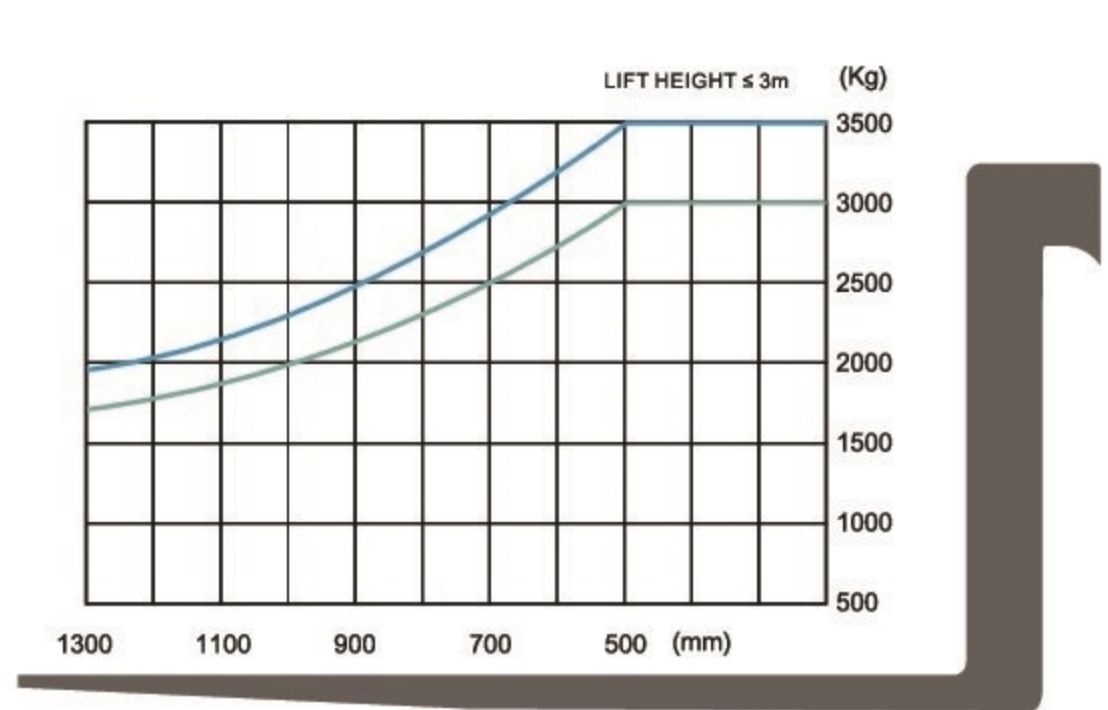
1. Special lifting height available (Duplex mast: 2.5m, 2.7m, 3.0m, 3.3m, 3.6m, 4m, 4.5m. Triplex mast: 4.3m, 4.5m, 4.8m, 5m, 5.5m, 6m) 2. Attachment available.
 3. The specifications in the table are for standard models only. For further information please contact us. 4. Specifications are subject to change without notice.
 Note: * With suspension seat or cabin.

3.0 ~ 3.5t R series mast: (pneumatic)

DIMENSIONS



LOAD CHART



| Type | Model | Max. Fork height | Overall height | | | | | | | | Free lift | | | | Front Overhang | | Tilt range | | Capacity | | | |
|----------------------------------|--------------|------------------|----------------|------|----------|------|------|------|------------------|------|---------------|------|-----|------|----------------|-----|-------------------------|------|----------|------|--|--|
| | | | Lowered | | Extended | | | | Without backrest | | With backrest | | 3t | 3.5t | FWD | BWD | Load capacity at 500 mm | | | | | |
| | | | 3t | 3.5t | 3t | 3.5t | 3t | 3.5t | 3t | 3.5t | 3t | 3.5t | | | | | 3t | 3.5t | 3t | 3.5t | | |
| Wide view mast | R30/35M250 | 2500 | 1770 | 1920 | 3185 | 3295 | 3640 | 3640 | 145 | 150 | 145 | 150 | 480 | 490 | 6 | 12 | 3000 | 3500 | 3000 | 3500 | | |
| | R30/35M270 | 2700 | 1870 | 2020 | 3385 | 3495 | 3840 | 3840 | 145 | 150 | 145 | 150 | 480 | 490 | 6 | 12 | 3000 | 3500 | 3000 | 3500 | | |
| | R30/35M300 | 3000 | 2020 | 2170 | 3685 | 3795 | 4140 | 4140 | 145 | 150 | 145 | 150 | 480 | 490 | 6 | 12 | 3000 | 3500 | 3000 | 3500 | | |
| | R30/35M330 | 3300 | 2170 | 2320 | 3985 | 4095 | 4440 | 4440 | 145 | 150 | 145 | 150 | 480 | 490 | 6 | 12 | 3000 | 3500 | 3000 | 3500 | | |
| | R30/35M350 | 3500 | 2270 | 2420 | 4185 | 4295 | 4640 | 4640 | 145 | 150 | 145 | 150 | 480 | 490 | 6 | 12 | 3000 | 3500 | 3000 | 3500 | | |
| | R30/35M360 | 3600 | 2370 | 2470 | 4285 | 4395 | 4740 | 4740 | 145 | 150 | 145 | 150 | 480 | 490 | 6 | 12 | 3000 | 3500 | 3000 | 3500 | | |
| | R30/35M400 | 4000 | 2620 | 2720 | 4685 | 4795 | 5140 | 5140 | 145 | 150 | 145 | 150 | 480 | 490 | 6 | 12 | 2850 | 3250 | 3000 | 3500 | | |
| | R30/35M430 | 4300 | 2770 | 2870 | 4985 | 5095 | 5440 | 5440 | 145 | 150 | 145 | 150 | 480 | 490 | 6 | 6 | 2700 | 3000 | 2900 | 3400 | | |
| | R30/35M450 | 4500 | 2870 | 2970 | 5185 | 5295 | 5640 | 5640 | 145 | 150 | 145 | 150 | 480 | 490 | 6 | 6 | 2550 | 2850 | 2850 | 3350 | | |
| | R30/35M480 | 4800 | 3020 | 3120 | 5485 | 5595 | 5940 | 5940 | 145 | 150 | 145 | 150 | 480 | 490 | 6 | 6 | 2250 | 2450 | 2550 | 2950 | | |
| Wide view full free Duplex mast | R30/35M500 | 5000 | 3120 | 3220 | 5685 | 5795 | 6140 | 6140 | 145 | 150 | 145 | 150 | 480 | 490 | 6 | 6 | 2100 | 2300 | 2400 | 2800 | | |
| | N30 / 35U250 | 2500 | 1880 | 1990 | 3260 | 3355 | 3645 | 3655 | 1120 | 1140 | 735 | 845 | 480 | 485 | 6 | 12 | 3000 | 3500 | 3000 | 3500 | | |
| | N30 / 35U270 | 2700 | 1980 | 2090 | 3460 | 3555 | 3845 | 3855 | 1220 | 1240 | 835 | 945 | 480 | 485 | 6 | 12 | 3000 | 3500 | 3000 | 3500 | | |
| | N30 / 35U300 | 3000 | 2205 | 2205 | 3775 | 3845 | 4155 | 4145 | 1440 | 1360 | 1060 | 1060 | 480 | 485 | 6 | 12 | 3000 | 3500 | 3000 | 3500 | | |
| | N30 / 35U330 | 3300 | 2240 | 2390 | 4070 | 4155 | 4455 | 4455 | 1480 | 1540 | 1095 | 1245 | 480 | 485 | 6 | 12 | 3000 | 3500 | 3000 | 3500 | | |
| | N30 / 35U360 | 3600 | 2390 | 2550 | 4370 | 4455 | 4755 | 4755 | 1630 | 1700 | 1245 | 1405 | 480 | 485 | 6 | 12 | 3000 | 3500 | 3000 | 3500 | | |
| | N30 / 35U400 | 4000 | 2590 | 2750 | 4770 | 4855 | 5155 | 5155 | 1830 | 1900 | 1445 | 1605 | 480 | 485 | 6 | 12 | 2850 | 3250 | 3000 | 3500 | | |
| | N30 / 35N430 | 4300 | 2105 | 2205 | 5070 | 5155 | 5455 | 5455 | 1335 | 1360 | 960 | 1060 | 490 | 505 | 6 | 6 | 2550 | 2850 | 2850 | 3350 | | |
| | N30 / 35N450 | 4500 | 2175 | 2275 | 5335 | 5355 | 5705 | 5655 | 1405 | 1430 | 1030 | 1130 | 490 | 505 | 6 | 6 | 2400 | 2700 | 2700 | 3200 | | |
| | N30 / 35N480 | 4800 | 2275 | 2375 | 5580 | 5655 | 5955 | 5955 | 1505 | 1530 | 1130 | 1230 | 490 | 505 | 6 | 6 | 2250 | 2450 | 2550 | 2950 | | |
| Wide view full free Triplex mast | N30 / 35N500 | 5000 | 2340 | 2440 | 5780 | 5855 | 6155 | 6155 | 1570 | 1595 | 1195 | 1295 | 490 | 505 | 6 | 6 | 2100 | 2300 | 2400 | 2800 | | |
| | N30 / 35N550 | 5500 | 2505 | 2605 | 6280 | 6355 | 6655 | 6655 | 1735 | 1760 | 1360 | 1460 | 490 | 505 | 3 | 6 | 1650 | 1800 | 2250 | 2550 | | |
| | N30 / 35N600 | 6000 | 2725 | 2770 | 6780 | 6855 | 7155 | 7155 | 1955 | 1925 | 1580 | 1625 | 490 | 505 | 3 | 6 | 1200 | 1300 | 2100 | 2300 | | |

With sideshifter minus 200kg, with integral sideshifter minus 100kg.